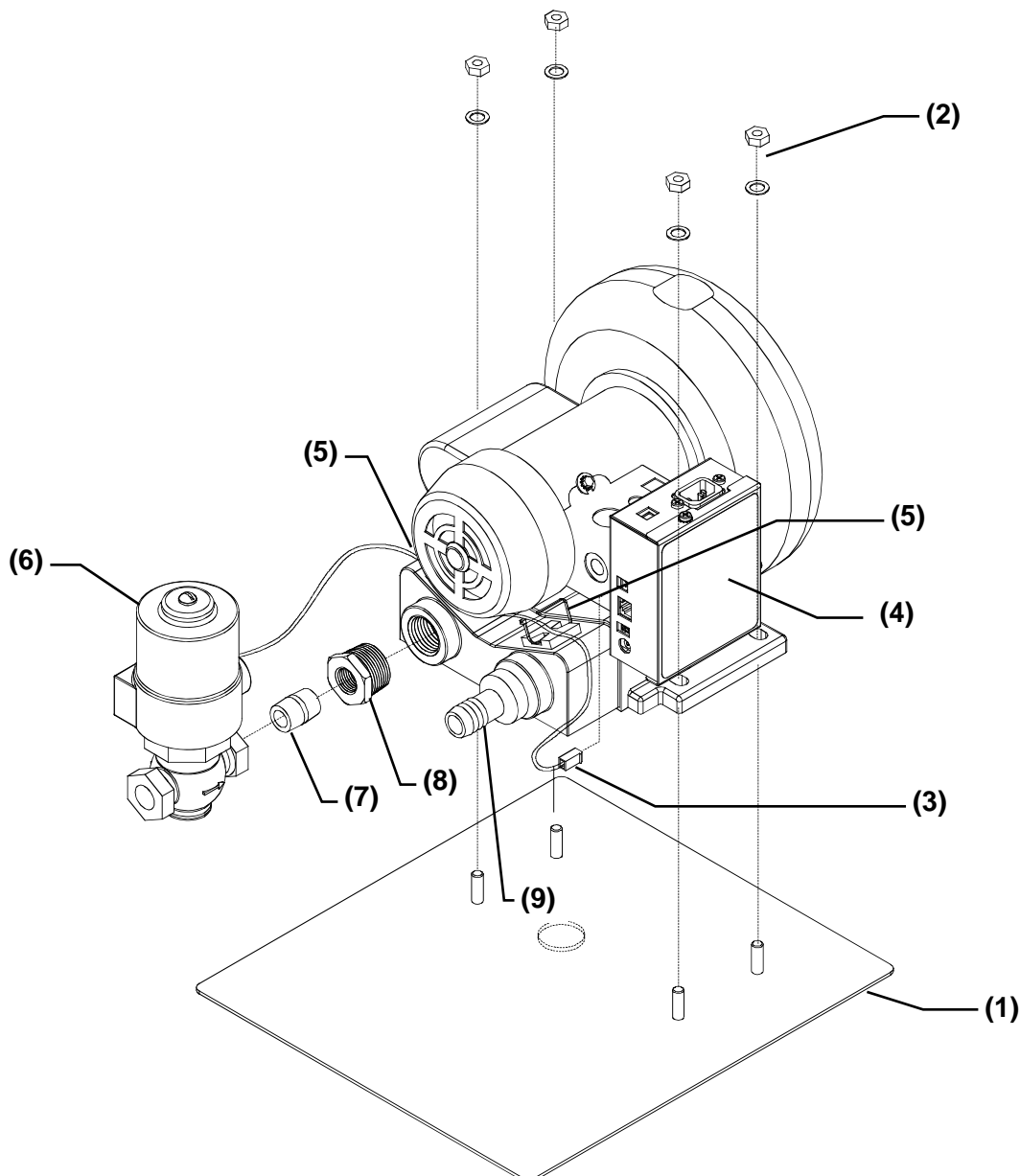
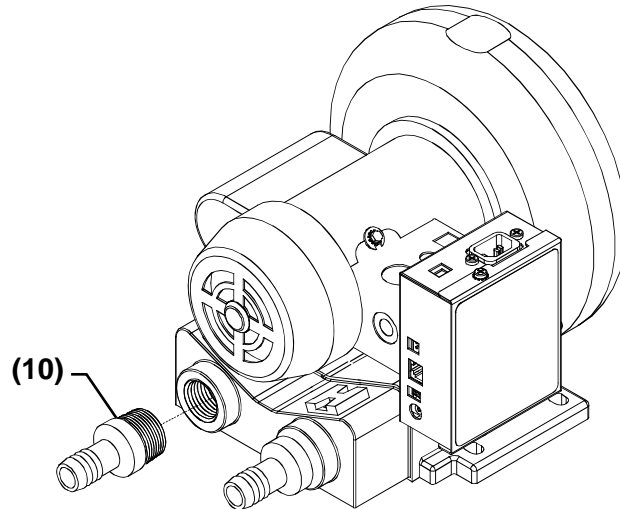


Vacuum Pump Solenoid Removal Instruction

- a. Disconnect the vacuum pump line cord and the solenoid power supply from the vacuum pump control box. The solenoid power supply is no longer required.
- b. Remove the vacuum pump communication cable (gray) from the control box.
- c. Remove the hose from the solenoid and the exhaust port (9). If the hose cannot be removed from the exhaust port (9), remove the vacuum pump from the mounting plate (1) by removing the four nuts/washers (2) and disconnect the exhaust port (9), or skip this step to continue removing the solenoid (6).
- d. Remove the vacuum pump assembly from its installed location.
- e. Unplug the solenoid cable connector (3) (white) from the control box (4) and cut the two tie wraps (5) securing the cable to the vacuum pump.
- f. Remove the solenoid valve assembly (6), nipple (7), and bushing (8) from the vacuum pump.



- g. Install the new vacuum port **(10)** into the "IN" port.



- h. Reinstall the vacuum pump assembly onto the mounting plate. (This step is done before reinstalling the exhaust port.)
- i. Connect the vacuum hose to the new vacuum port (10).
- j. Plug the vacuum pump line cord and the communication cable (gray) into the control box **(4)**.
- k. Upgrade the software to version 1.3. Refer to update instruction AT240-512.
- l. By using ToolCrib, upgrade the system firmware to v06502 on the Station, Tracker and DAS boards.